

FOR KANGA 5•6•7•8 SERIES COMPACT SKID STEER LOADERS

KANGA BACKHOE



Patent Pending
2006101054

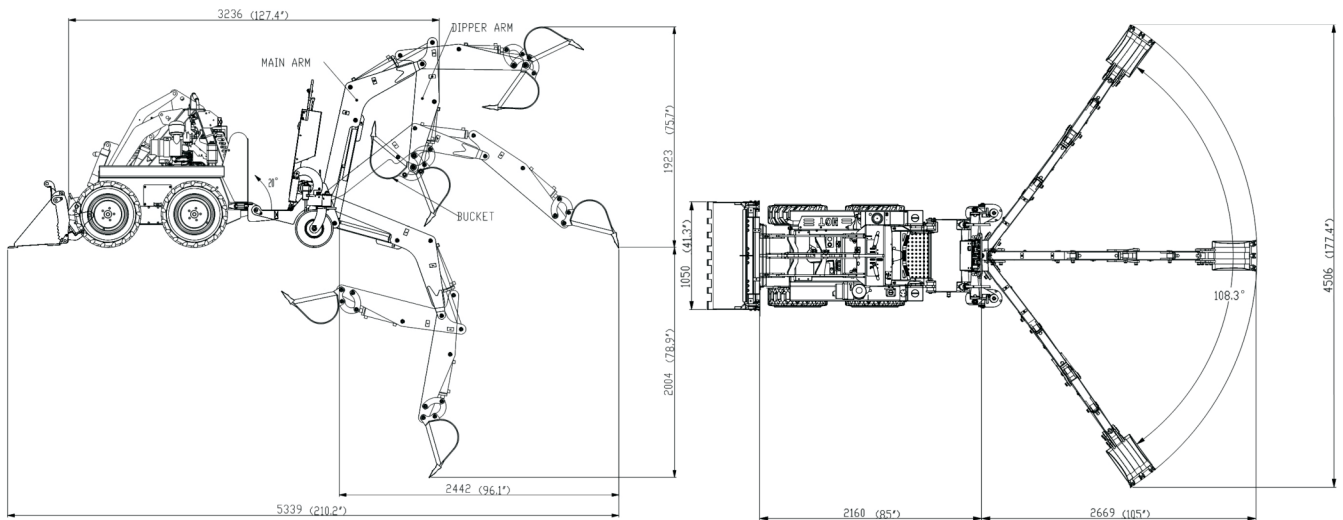
ADVANCED ENGINEERING TURNING HARD WORK INTO EASY BUSINESS

KANGA MULTI-TASK COMPACT SKID STEER LOADERS

Kanga Backhoe

The ultimate in mini loader versatility, digging up to 2m(79") deep. Featuring a patented self leveling and height adjustable trailing quick hitch system which ensures you're always in control over uneven ground. An unobstructed 360degree view allows the operator perfect vision of the job site without needing to leave the operator platform. From mature tree transplanting, drainage and sewerage excavation to grave digging, installing/inspecting underground cables/pipes etc. and general excavating, the Kanga backhoe promises to be one of the most versatile attachments you'll ever own. Ask your sales representative about a demonstration today. Multiple bucket widths are available to handle any job from big to small.

KANGA BACKHOE						
BACKHOE 5-6-7-8 Series Loaders Only	OK55004	Dig Depth 2004mm/79"	Bucket Width 150mm/6" -600mm/24"	Bucket Reach 2669mm/105"	Breakout Force 800Kg/1760lbs	Weight 398Kg/876lbs
		Slew Force 335Kg/736lbs	Lifting Capacity 190Kg/420lbs	Slew Width 4506mm/177"	Controls Standard Backhoe Twin Joystick	
HOE BUCKETS	OK55303	Width 150mm/6" 200mm/8" 300mm/12" 400mm/16" 600mm/24"			Weight 14Kg/31lbs 16Kg/35lbs 19Kg/42lbs 23Kg/51lbs 29Kg/64lbs	
	OK55300 OK55310 OK55320 OK55322					



Patented self leveling and height adjustable quick hitch system.

Allows the backhoe to be traveled over uneven terrain or loaded onto a trailer without the loader wheels ever losing contact with the ground.

The system can also be locked into place with the front bucket lowered to the ground to give you an unprecedented level of stability and security whilst digging.



New universal attachments are constantly being added to the range.

Please check with your Kanga dealer or visit our website for information, updates and availability. Many universal attachments from other manufacturers can also be fitted to the Kanga 5,6,7 & 8 series.



ADVANCED ENGINEERING TURNING HARD WORK INTO EASY BUSINESS

Australian designed, Australian made, Australian owned. For detailed attachments specifications, visit www.kanga-loader.com

For further information or details of your nearest Kanga dealer - Phone **1800 243 643** or email: sales@kanga-loader.com

AUSTRALIA Brisbane • Gold Coast • Sydney • Canberra • Melbourne • Adelaide • Perth | NEW ZEALAND | UNITED KINGDOM | USA | SOUTH AFRICA