

nifty

HR17

SELF PROPELLED ACCESS PLATFORM



17.20m (56ft 5in)
Working height

9.60m (31ft 6in)
Working outreach

45% Gradeability
4WD for rough terrain

Suspension System
Improved traction on
uneven terrain

2.00m Chassis Width
Operation in confined areas

**Fully Proportional
Hydraulic Controls**
Simple, reliable &
easy to use

1.80m Wide Platform
Improving operator comfort

**Platform Rotation
& Fly-Boom**
Improved access to applications



niftylift.com

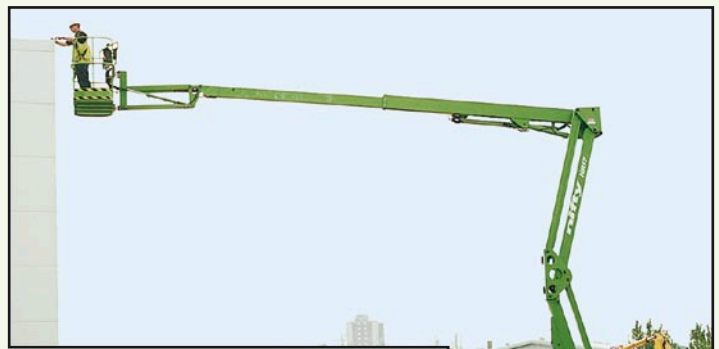
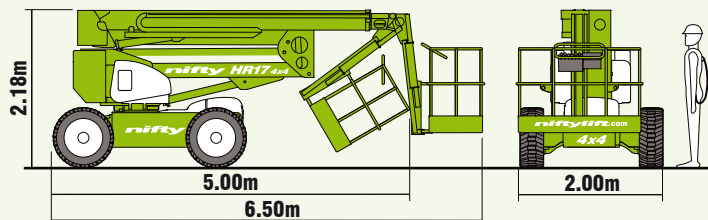
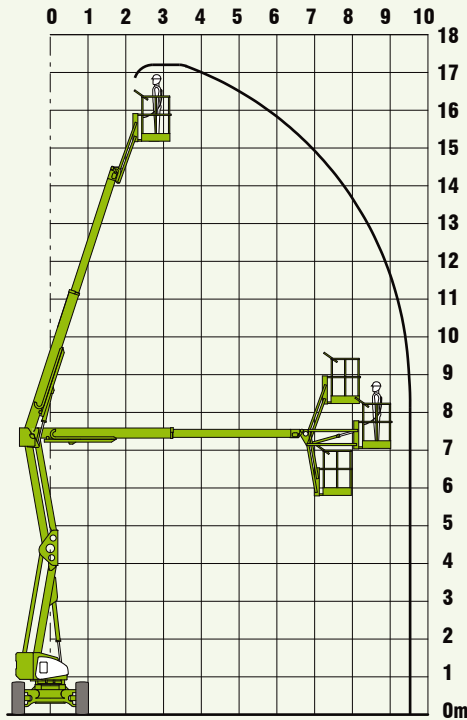
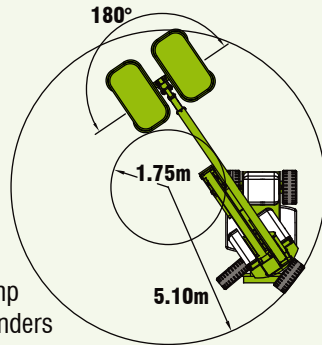


nifty Heightrider 17

The Nifty **Height Rider 17** will lift 2 men and tools to a working height of 17.20m or an outreach of 9.60m. Fully proportional hydraulic controls make the **HR17** simple to use, reliable and easy to maintain, keeping running costs low and minimising downtime. 180° platform rotation and a 150° fly-boom give greater control over positioning the platform making jobs both quicker and easier than before. Its weight saving and compact chassis give the **HR17** excellent manoeuvrability on site and its powerful 4-Wheel Drive ensure that it can handle even the roughest terrain.

SAFETY FEATURES

- Automatic Failsafe Brakes
- Tilt Alarm
- Foam Filled Tyres
- Dual Harness Points
- CE Marked
- Dual Controls (Platform & Base)
- Manual Recovery with Hand Pump
- Lock Valves on all Hydraulic Cylinders



The Nifty **HR17's** unique suspension system ensures maximum traction when travelling over uneven ground and the 1.8m wide platform allows the operator ample space for tools.

SPECIFICATIONS

Working Height	17.20m	56ft 5in
Platform Height	15.20m	49ft 10in
Working Outreach	9.60m	31ft 6in
Slew	360°	
Fly-Boom Arc	150°	
Width	2.00m	6ft 7in
Height	2.18m	7ft 2in
Length - Stowed	5.00m	16ft 5in
- Overall	6.50m	21ft 4in
Minimum Weight	6,500kg*	14,330lbs*
Turning Radius - Inside	1.75m	5ft 9in
- Outside	5.10m	16ft 9in
Platform Rotation	180°	
Platform Capacity	225kg	
Platform Size	1.80m x 0.70m	5ft 11in x 2ft 4in
Drive Speed	6.6kph	4.1mph
Gradeability	45%	
Control System	Fully Proportional Hydraulic	
Power System	Kubota 1505 32Hp Diesel	

* Weights may vary according to specification, please confirm before ordering.

Due to a policy of continuing development and improvement, Niftylift reserves the right to change any specification without notice. Please confirm exact specification before ordering.

Supplied by:

Manufacturers of trailer mounted,
self propelled and vehicle mounted platforms.

NIFTYLIFT LTD
Fingle Drive
Stonebridge
Milton Keynes
MK13 0ER
England

www.niftylift.com

e-mail: info@niftylift.com
Tel.: +44 (0) 1908 223456
Fax.: +44 (0) 1908 312733

