



SJ45 AJ+

ARTICULATING BOOMS



STANDARD FEATURES

- EASYDRIVE™ Direction sensing drive and steer controls
- SKYRISER™ True vertical rise
- AXLDRIVE™ Axle-based 4WD system
- ELEVATE Live
- Operator controlled locking rear differential and limited slip front differential
- Oscillating steer axle
- Drivable at full height
- 40% Gradeability
- Wet disc SAHR brakes (rear axle)
- Grip lug solid non-marking tyres
- Dual module control system with SKYCODED™ colour coded and numbered wiring
- SMARTORQUE™ Kubota D1305 diesel engine
- ECOSTART (Stop-Start system)
- Swing up cowlings for easy access
- Proportional controls
- 300kg capacity
- 0.76 x 1.83 m Platform
- Bolt-in platform railings
- Lanyard attachment points
- Dual-entry sliding mid rails
- Secondary Guarding Electrical (SGE)
- Overload sensing system
- Wiring for AC outlet on platform
- Tilt alarm (5.0° x 5.0°) with drive and lift cut-out
- Single point emergency lowering
- 355° Non-continuous turret rotation
- Tie down/lifting lugs
- Hourmeter
- Operator horn
- Lockable power disconnect switch
- 7.5 kW Generator (Includes hydraulic oil cooler)
- All motion alarm
- Flashing Light



- 20% weight reduction
- 28% less fuel*



- Reduced emissions



- 3% reduction in engine noise (excl. alarms)
- White noise alarm – *optional*



- 85% recyclable (by weight)



- ECOSTART (Stop-Start system)
- HVO compatible
- Bio-degradeable hydraulic oil – *optional*



- Telematics – Remote diagnostics reduces site visits (operational carbon foot print)

*Compared to SJ46 AJ

Preliminary specifications at time of printing.

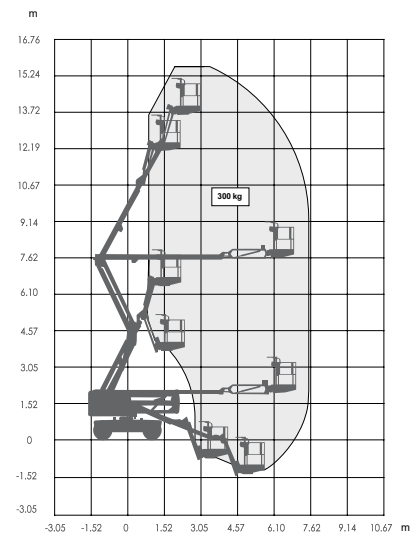
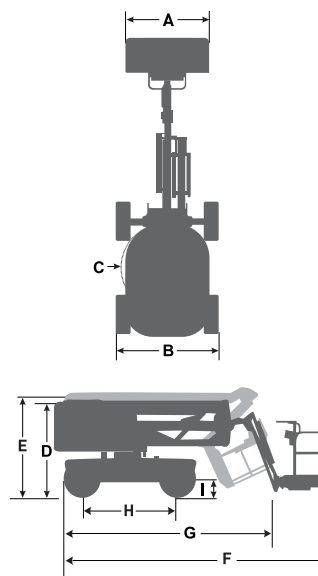
† Standard lead times may be increased when optional equipment is added, consult factory.

‡ Capacities and machine weights may differ when options are added.

SKYJACK
simply reliable™

SJ45 AJ+ ARTICULATING BOOMS

Dimensions	SJ45 AJ+
Work Height	15.72 m
Platform Height	13.72 m
Horizontal Reach	6.93 m
Up and Over Height	7.45 m
A Platform Size	0.76 x 1.83 m
B Stowed Width	2.29 m
C Tailswing	0.61 m
D Stowed Height	2.06 m
E Transportation Height	2.16 m
F Stowed Length	6.00 m
G Transportation Length	4.75 m
H Wheelbase	2.03 m
I Ground Clearance	0.39 m
Specifications	SJ45 AJ+
Rotation	355° NC
Platform Rotation	170°
Jib Length	1.40 m
Jib Range +/-	+70° / -75°
Weight	5,075 kg
Gradeability	40%
Turning Radius (Inside)	1.50 m
Turning Radius (Outside)	4.34 m
Axle Oscillation	12.70 cm
Drive Speed (High speed)	4.0 km/h
Capacity	300 kg
Maximum Wind Rating	12.5 m/s
Personnel Rating at Max Wind Rating	2
Tyre Size	10 x 31
Tyre Type	Solid
Diesel Engine	Kubota D1305 18.5 KW (24.8 HP)
Fuel Tank Capacity	64 L
Hydraulic Reservoir	91 L



SJ45 AJ+ WORKING ENVELOPE

ACCESSORIES

- Glazier kit
- Pipe rack
- Tool caddy

OPTIONS

- 0.76 x 1.52 m platform
- Side spring hinged entry gate
- Auxiliary top rail (0.76 x 1.83 m Platform only)
- Half-height mesh platform (either size)
- Control box cover
- Diesel scrubber
- Bio oil
- ELEVATE telematics

www.skyjack.com

Skyjack Australia
 Unit 1, 35 Honeycomb Drive
 Eastern Creek
 New South Wales 2766
 Australia
 Tel: +61 (0) 2 9854 0700
 Fax: +61 (0) 2 9854 0777
 Email: jcranmer@skyjack.com

SKYJACK
 simply reliable

This brochure is for illustrative purpose only and based on the latest information at the time of printing. Skyjack Inc. reserves the right to make changes at any time, without notice, to specifications, standard and optional equipment. Consult the Operating Maintenance and Parts Manuals for proper procedures. AS marked platforms are in conformance to Standard AS/NZS 1418.10:2011.