

AGRI FARMER

DIECI AGRI FARMER TELEHANDLER 3T / 6.35 - 8.7 M



30.7 TCL 30.7 TCH 30.9 TCL 30.9 TCH

DIECI
TELEHANDLERS

PERFORMANCE

Machine model	AGRI FARMER 30.7 TCL	AGRI FARMER 30.7 TCH	AGRI FARMER 30.9 TCL	AGRI FARMER 30.9 TCH
Maximum capacity	3000 kg (6614 lb)	3000 kg (6614 lb)	3000 kg (6614 lb)	3000 kg (6614 lb)
Maximum lifting height on wheels	6.35 m (20.8 ft)	6.45 m (21.1 ft)	8.60 m (28.2 ft)	8.70 m (28.5 ft)
Maximum horizontal extension on wheels	3.65 m (12ft)	3.65 m (12ft)	5.70 m (18.7 ft)	5.70 m (18.7 ft)
Fork swiveling angle	146°	146°	146°	146°
Pull-out force	5700 daN (12814 lbf)	5700 daN (12814 lbf)	5700 daN (12814 lbf)	5700 daN (12814 lbf)
Towing force	5500 daN (12364 lbf)	5500 daN (12364 lbf)	5500 daN (12364 lbf)	5500 daN (12364 lbf)
Maximum climb angle	40%	40%	40%	40%
Unladen weight	6100 kg (13448 lb)	6100 kg (13448 lb)	6250 kg (13779 lb)	6250 kg (13779 lb)
Max speed (referred to wheels with maximum permitted diameter)	35 km/h (21.7 mph)	35 km/h (21.7 mph)	35 km/h (21.7 mph)	35 km/h (21.7 mph)

BOOM

Machine model	AGRI FARMER 30.7 TCL	AGRI FARMER 30.7 TCH	AGRI FARMER 30.9 TCL	AGRI FARMER 30.9 TCH
Lifting	7.4 s	7.4 s	9.0 s	9.0 s
Getting off the basket	3.9 s	3.9 s	4.7 s	4.7 s
Extension	5.7 s	5.7 s	5.2 s	5.2 s
Retraction	3.2 s	3.2 s	2.9 s	2.9 s
Forward swiveling	3.2 s	3.2 s	3.2 s	3.2 s
Reverse swiveling	2.1 s	2.1 s	1.7 s	1.7 s

ENGINE

Machine model	AGRI FARMER 30.7 TCL	AGRI FARMER 30.7 TCH	AGRI FARMER 30.9 TCL	AGRI FARMER 30.9 TCH
Brand	Kubota	Kubota	Kubota	Kubota
Nominal power	73.4 kW (98 HP)	73.4 kW (98 HP)	73.4 kW (98 HP)	73.4 kW (98 HP)
@rpm	2600 rpm	2600 rpm	2600 rpm	2600 rpm
Operation	4-stroke	4-stroke	4-stroke	4-stroke
Injection	Mechanical	Mechanical	Mechanical	Mechanical
Number and arrangement of cylinders	4, Vertical in line	4, Vertical in line	4, Vertical in line	4, Vertical in line
Displacement	3769 cm ³ (230 in ³)	3769 cm ³ (230 in ³)	3769 cm ³ (230 in ³)	3769 cm ³ (230 in ³)
Consumption	231 g/kWh (380 lb/Hp H)	231 g/kWh (380 lb/Hp H)	231 g/kWh (380 lb/Hp H)	231 g/kWh (380 lb/Hp H)
@rpm	2600 rpm	2600 rpm	2600 rpm	2600 rpm
Emission standards	Stage IIIA/Tier 3	Stage IIIA/Tier 3	Stage IIIA/Tier 3	Stage IIIA/Tier 3
Cooling system	Liquid	Liquid	Liquid	Liquid
Intake	Turbo compressor	Turbo compressor	Turbo compressor	Turbo compressor

DIFFERENTIAL AXLES

Machine model	AGRI FARMER 30.7 TCL	AGRI FARMER 30.7 TCH	AGRI FARMER 30.9 TCL	AGRI FARMER 30.9 TCH
Axles types	2 steering, with 4 planetary reduction gears	2 steering, with 4 planetary reduction gears	2 steering, with 4 planetary reduction gears	2 steering, with 4 planetary reduction gears
Type of steering	4 wheels / transversal / 2 wheels	4 wheels / transversal / 2 wheels	4 wheels / transversal / 2 wheels	4 wheels / transversal / 2 wheels
Front axle	Rigid	Rigid	Rigid	Rigid
Rear axle	Swinging	Swinging	Swinging	Swinging
Service brake	Oil bath with servo brake on front axle	Oil bath with servo brake on front axle	Oil bath with servo brake on front axle	Oil bath with servo brake on front axle
Park brake	Automatic spring applied hydraulic release	Automatic spring applied hydraulic release	Automatic spring applied hydraulic release	Automatic spring applied hydraulic release

HYDRAULIC SYSTEM

Machine model	AGRI FARMER 30.7 TCL	AGRI FARMER 30.7 TCH	AGRI FARMER 30.9 TCL	AGRI FARMER 30.9 TCH
Hydraulic pump type	Gear pump for power steering and movements	Gear pump for power steering and movements	Gear pump for power steering and movements	Gear pump for power steering and movements
Hydraulic pump capacity	115 L/min (30.4 gal/min)	115 L/min (30.4 gal/min)	115 L/min (30.4 gal/min)	115 L/min (30.4 gal/min)
Max. operating pressure	24.5 MPa (3553 psi)	24.5 MPa (3553 psi)	24.5 MPa (3553 psi)	24.5 MPa (3553 psi)
Distributor control	4in1 proportional Joystick	4in1 proportional Joystick	4in1 proportional Joystick	4in1 proportional Joystick

REFUELING

Machine model	AGRI FARMER 30.7 TCL	AGRI FARMER 30.7 TCH	AGRI FARMER 30.9 TCL	AGRI FARMER 30.9 TCH
Hydraulic motor (total)	140.0 L (36.98 gal)	140.0 L (36.98 gal)	140.0 L (36.98 gal)	140.0 L (36.98 gal)
Diesel tank	100.0 L (26.42 gal)	100.0 L (26.42 gal)	100.0 L (26.42 gal)	100.0 L (26.42 gal)

TRANSMISSION

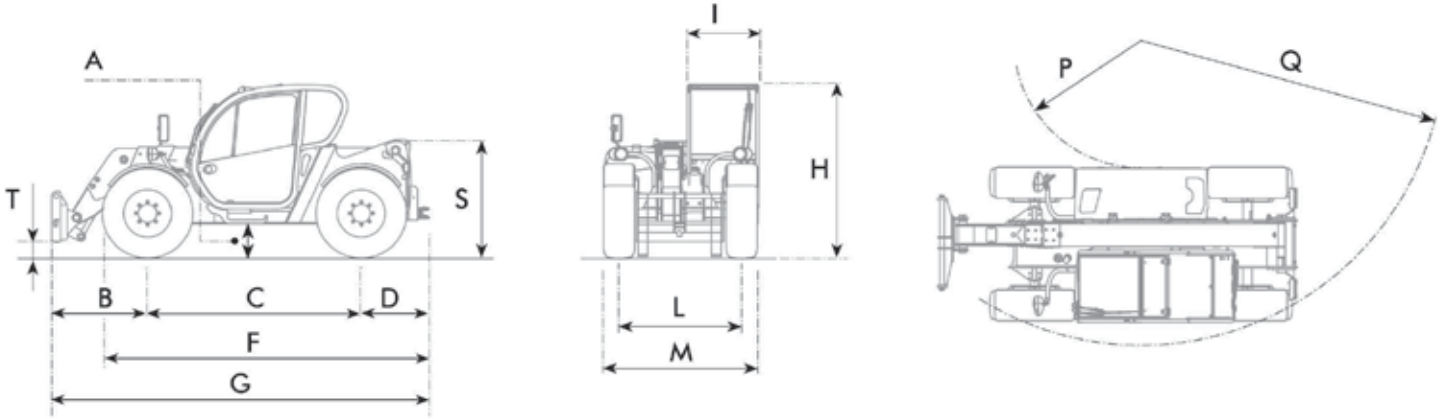
Machine model	AGRI FARMER 30.7 TCL	AGRI FARMER 30.7 TCH	AGRI FARMER 30.9 TCL	AGRI FARMER 30.9 TCH
Transmission type	Hydrostatic with variable flow pump	Hydrostatic with variable flow pump	Hydrostatic with variable flow pump	Hydrostatic with variable flow pump
Hydraulic motor	Hydrostatic with continuous automatic adjustment	Hydrostatic with continuous automatic adjustment	Hydrostatic with continuous automatic adjustment	Hydrostatic with continuous automatic adjustment
Reversal	Electro-Hydraulic	Electro-Hydraulic	Electro-Hydraulic	Electro-Hydraulic
Inching	With inching pedal for controlled forward movement	With inching pedal for controlled forward movement	With inching pedal for controlled forward movement	With inching pedal for controlled forward movement
Transmission gearbox	Servocontrolled 2-speed	Servocontrolled 2-speed	Servocontrolled 2-speed	Servocontrolled 2-speed

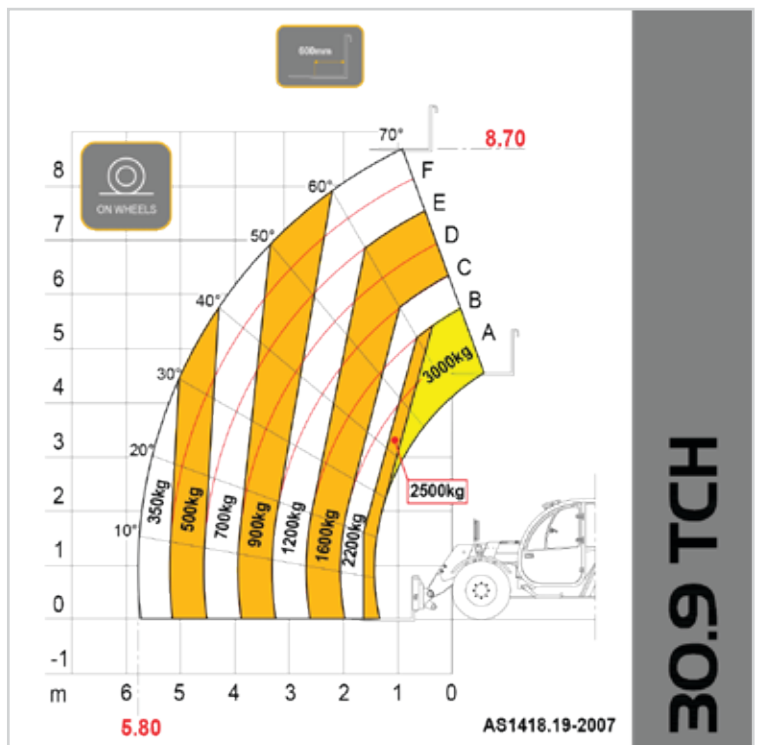
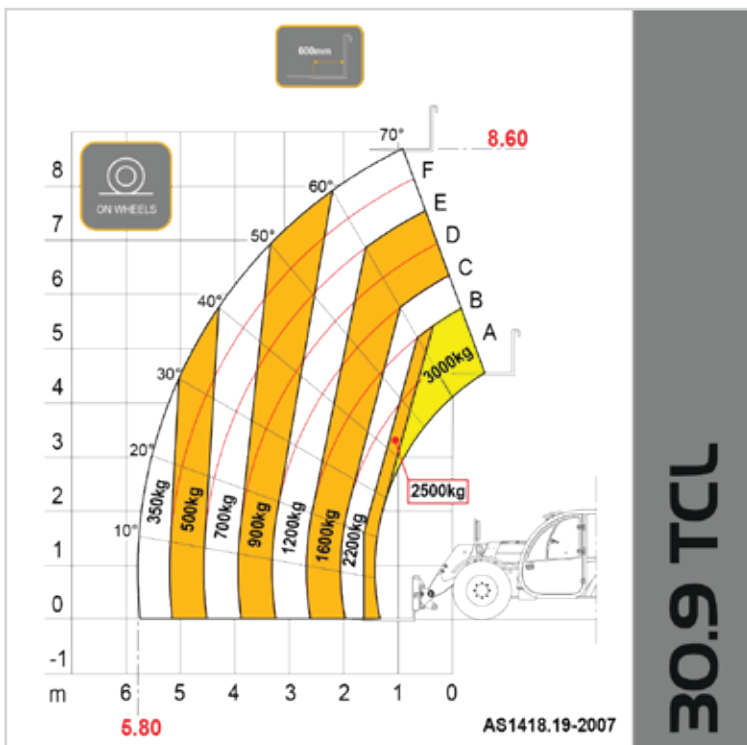
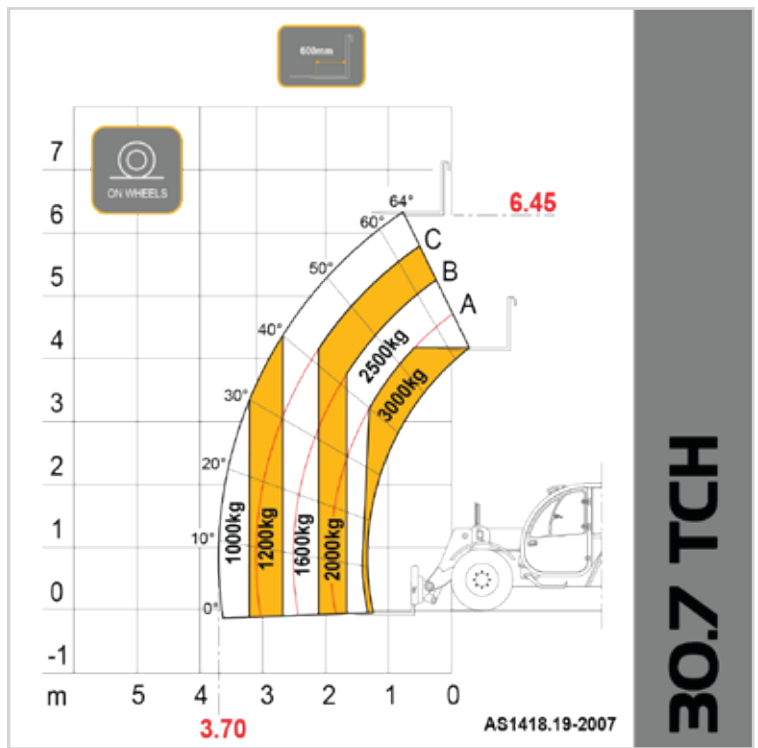
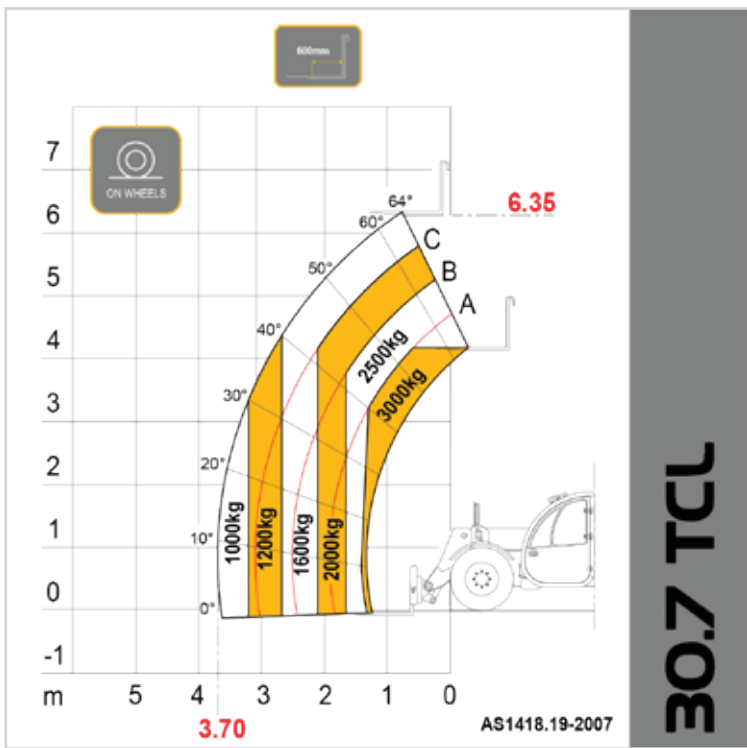
TYRES

Machine model	AGRI FARMER 30.7 TCL	AGRI FARMER 30.7 TCH	AGRI FARMER 30.9 TCL	AGRI FARMER 30.9 TCH
Standard tyres	12.5x18"	400/70x20"	12.5x18"	400/70x20"

DIMENSIONS

Machine model	AGRI FARMER 30.7 TCL	AGRI FARMER 30.7 TCH	AGRI FARMER 30.9 TCL	AGRI FARMER 30.9 TCH
A	400 mm (15.7 in)	400 mm (15.7 in)	400 mm (15.7 in)	400 mm (15.7 in)
B	1315 mm (51.8 in)	1315 mm (51.8 in)	1232 mm (48.5 in)	1232 mm (48.5 in)
C	2800 mm (110.2 in)	2800 mm (110.2 in)	2800 mm (110.2 in)	2800 mm (110.2 in)
D	650 mm (25.6 in)	650 mm (25.6 in)	743 mm (29.3 in)	743 mm (29.3 in)
F	3990 mm (157.1 in)	3990 mm (157.1 in)	4087 mm (160.9 in)	4087 mm (160.9 in)
G	4765 mm (187.6 in)	4765 mm (187.6 in)	4775 mm (188 in)	4775 mm (188 in)
H	2040 mm (80.3 in)	2220 mm (87.4 in)	2040 mm (80.3 in)	2220 mm (87.4 in)
I	940 mm (37 in)	940 mm (37 in)	940 mm (37 in)	940 mm (37 in)
L	1600 mm (63 in)	1600 mm (63 in)	1600 mm (63 in)	1600 mm (63 in)
M	2000 mm (78.7 in)	2000 mm (78.7 in)	2000 mm (78.7 in)	2000 mm (78.7 in)
P	1670 mm (65.7 in)	1670 mm (65.7 in)	1670 mm (65.7 in)	1670 mm (65.7 in)
Q	4000 mm (157.5 in)	4000 mm (157.5 in)	4000 mm (157.5 in)	4000 mm (157.5 in)
S	1544 mm (60.8 in)	1544 mm (60.8 in)	1540 mm (60.6 in)	1540 mm (60.6 in)
T	20 mm (0.8 in)	20 mm (0.8 in)	93 mm (3.7 in)	93 mm (3.7 in)





The
Capital Equipment
Specialists

Distributed by the AWD Group and their network of authorised dealers.
AWD Group - 25 Garner Place, Ingleburn NSW 2565
Tel. +61 2 8795 4555 - www.dieci.com.au
info@awdgrp.com.au

Illustrations and photos show the standard international models and may or may not include optional equipment, accessories, customer installed or modified parts, optional parts and all standard equipment with some differences in colour and features. Machine specifications are subject to change without notice and additional load charts and machine or attachment specifications may be available on request. Please refer to the operators manual for correct machine and attachment operation.