

COMPACT EXCAVATOR

**TAKEUCHI**<sup>TM</sup>  
From World First to World Leader

# TB215R



Operating Weight: 1,610 kg

# Product Features & Specifications

## ENGINE

- Engine Preheat
- Extended Life Coolant
- Double Element, Air Cleaner (optional)
- Automatic Fuel Bleed System
- High Capacity Fuel Filters
- Engine Safety Start System on the Left Console

## ELECTRICAL

- Color Multi-Informational Display
- 12 volt System with 40 amp Alternator
- 2 Canopy Lights
- 1 Working Light on Boom
- TSS (Takeuchi Security System; Immobilizer) (optional)
- Hour Meter
- Travel Alarm (optional)

## UNDERCARRIAGE AND FRAME

- Triple Flanged Track Rollers
- Hydraulically Retractable Track Frame (980 mm to 1,300 mm)
- Adjustable Width Backfill Blade
- 2-Speed Travel with Automatic Shift
- Wraparound Protective Counterweight
- 230 mm Rubber Crawlers

## OPERATOR'S STATION

- ROPS / TOPS / OPG Level 1 Canopy
- 12V Power Outlet
- Highback Suspension Adjustable Seat
- 2" Retractable Seat Belt

## HYDRAULIC

- Variable Displacement Pump
- Straight Travel Circuit
- Hydraulic Joystick Controls
- Foot Pedal Control for Service Port 1
- Auxiliary Hydraulic Circuit Plumbed to Arm
- Hydraulic Tank with Fluid Level Sight Gauge
- Proportional Control for Service Port 2 (optional)
- Service Port 3 for Quick Hitch (optional)
- Hydraulic Selector Valve (1-way/2-way) (optional)
- Pilot Accumulator (optional)

## WORKING EQUIPMENT

- Independent Mono Boom Swing
- Cushioned Boom Cylinders
- Top Mount Boom Cylinders
- 930 mm Arm
- Arm and Boom Holding Valve with Lift Alarm (optional)
- Pattern Change Valve (ISO or G) (optional)



Under-seat Cover Provides Control Valve Access



Wide Open Engine Cover

# TOUGH, POWERFUL, RELIABLE



**2-Speed Travel**



**Multi-Informational Display**



**Hydraulic Joystick Controls**



**Retractable Undercarriage**

The TB215R has many features to make any job easier. Standard equipment includes an multi-informational display, automatic travel shift, pilot operated joystick controls, a high capacity cooling system, and convenient filter and service access.

The retractable undercarriage on the TB215R allows the machine to travel through standard doorways and job sites with limited access with ease.

Auxiliary hydraulics and boom pivot are controlled using the foot pedals located on the left and right side of the floor. The standard high back suspension seat provides optimal comfort for the operator.

The TB215R is powerful, tough and versatile. This machine provides exceptional value and demonstrates outstanding performance.



**Easy Maintenance and Service Access**

## OPERATING PERFORMANCE

|                               |                       |
|-------------------------------|-----------------------|
| Operating Weight              | 1,610 kg              |
| Bucket Capacity (Heaped)      | 0.038 m <sup>3</sup>  |
| Slew Speed                    | 9.2 min <sup>-1</sup> |
| Travel Speed                  |                       |
| 1st                           | 2.2 km/h              |
| 2nd                           | 4.2 km/h              |
| Gradeability                  | 15°                   |
| Ground Pressure               | 26.0 kPa              |
| Maximum Bucket Breakout Force | 14.0 kN               |
| Maximum Arm Digging Force     | 9.5 kN                |
| Traction Force                | 19.4 kN               |
| Boom Swing Angle (Left/Right) | 70° / 50°             |

## ENGINE

|                          |                                 |
|--------------------------|---------------------------------|
| Model                    | Yanmar / 3TNV70                 |
| Rated Output (ISO 14396) | 11.5 kW/2,400 min <sup>-1</sup> |
| Maximum Torque           | 52.6 Nm/1,800 min <sup>-1</sup> |
| Displacement             | 854 ml                          |
| Alternator               | 12 V - 0.48 kW                  |
| Battery (IEC 60095-1)    | 12 V - 48 A·h                   |

## FLUID CAPACITY

|                              |        |
|------------------------------|--------|
| Engine Lubrication           | 2.8 L  |
| Cooling System               | 3.9 L  |
| Fuel Tank Capacity           | 22.0 L |
| Hydraulic Reservoir Capacity | 16.1 L |
| Hydraulic System Capacity    | 24.0 L |

## HYDRAULIC SYSTEM

|                    |                            |
|--------------------|----------------------------|
| P1, P2             | Variable Displacement Pump |
| Flow Rate          | 16.8 L/min                 |
| Relief Pressure    | 21.0 MPa                   |
| P3                 | Gear Pump                  |
| Flow Rate          | 10.8 L/min                 |
| Relief Pressure    | 20.0 MPa                   |
| Service Port 1     |                            |
| Flow Rate          | 33.6 L/min                 |
| Hydraulic Pressure | 21.0 MPa                   |
| Service Port 2     |                            |
| Flow Rate          | 10.8 L/min                 |
| Hydraulic Pressure | 20.0 MPa                   |
| Service Port 3     |                            |
| Hydraulic Pressure | 20.0 MPa                   |

## SAFETY and HEALTH

|                   |                        |
|-------------------|------------------------|
| Vibration Levels  |                        |
| Hand / Arm        | ≤ 2.5 m/s <sup>2</sup> |
| Body              | ≤ 0.5 m/s <sup>2</sup> |
| Noise Level       |                        |
| Sound Power Level | LWA 93 dB              |



Top Mount Boom Cylinder



Operator's Station

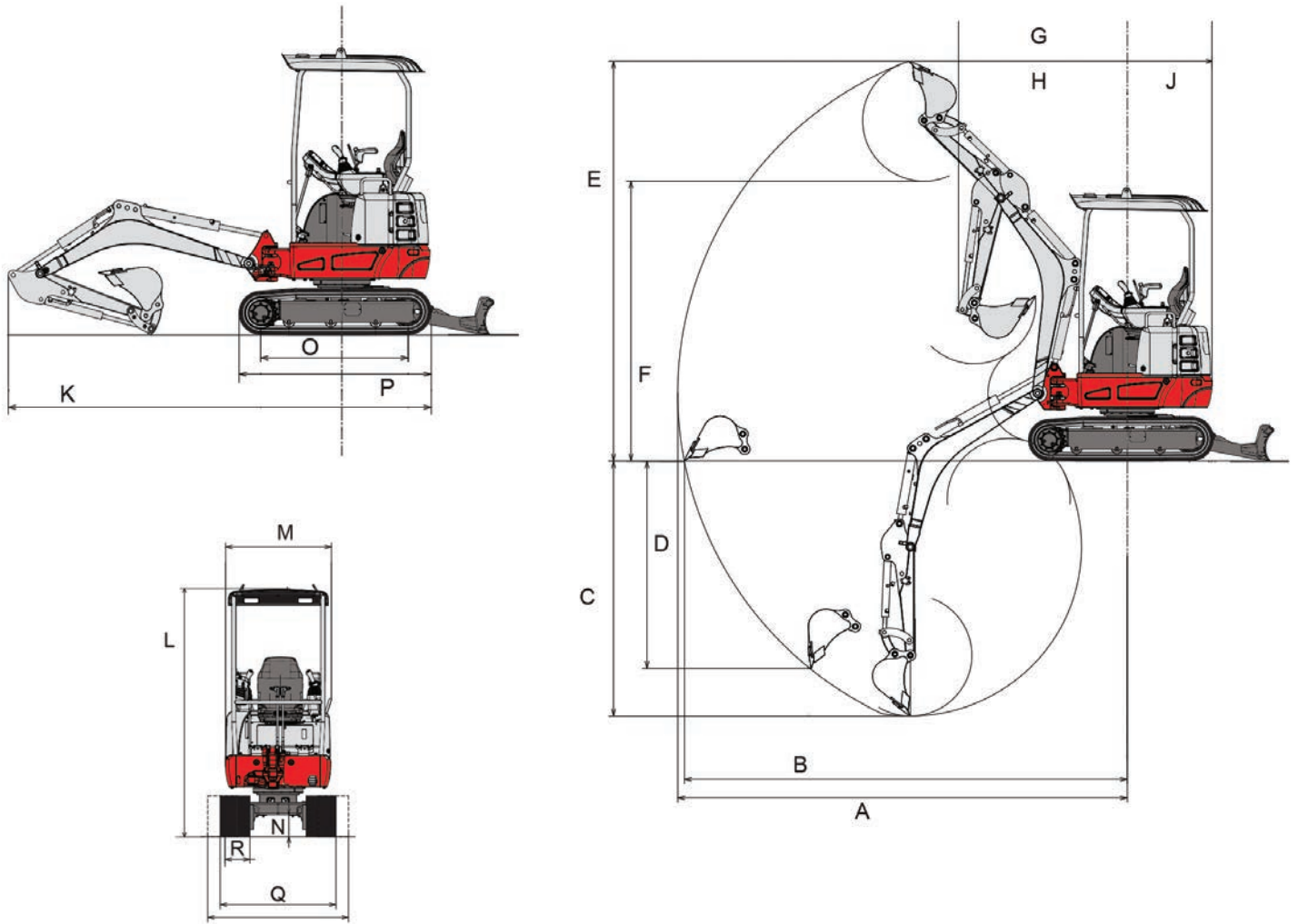


High Capacity Fuel Tank



Short Tail Swing

# TB215R Compact Excavator



## MACHINE DIMENSIONS

930 mm Arm

|    |   |          |
|----|---|----------|
| A  | Maximum Reach                             | 3,815 mm |
| B  | Maximum Reach at Ground Level             | 3,760 mm |
| C  | Maximum Digging Depth                     | 2,190 mm |
| D  | Maximum Vertical Digging Depth            | 1,780 mm |
| E  | Maximum Height of Cutting Edge            | 3,430 mm |
| F  | Maximum Dumping Height                    | 2,400 mm |
| G  | Front Swing Radius                        | 1,450 mm |
| H  | Front Swing Radius with Boom Offset       | 1,185 mm |
| J  | Slew Radius                               | 720 mm   |
| K  | Overall Length                            | 3,455 mm |
| L  | Overall Height                            | 2,345 mm |
| M  | Upper Structure Overall Width             | 980 mm   |
| N  | Ground Clearance                          | 205 mm   |
| O  | Crawler Base                              | 1,205 mm |
| P  | Crawler Overall Length                    | 1,570 mm |
| Q  | Crawler Overall Width - Crawler Retracted | 980 mm   |
| Q' | Crawler Overall Width - Crawler Extended  | 1,300 mm |
| R  | Crawler Shoe Width                        | 230 mm   |



© 2018 Takeuchi MFG. Co., Ltd. All Rights Reserved. In accordance with our established policy of continued improvement, specifications and features are subject to change without notice. Pictures may show options other than standard equipment.

FORM: TB215R Compact Excavator Spec Sheet - May 2018

**TAKEUCHI**<sup>™</sup>  
From World First to World Leader