

PIGGERY PRO

DIECI PIGGERY PRO TELEHANDLER 3T / 6.35 M



30.7 TCL

DIECI
TELEHANDLERS

PERFORMANCE

Machine model	PIGGERY PRO 30.7 TCL
Maximum capacity	3000 kg (6614 lb)
Maximum lifting height on wheels	6.35 m (20.8 ft)
Maximum horizontal extension on wheels	3.65 m (12ft)
Fork swiveling angle	146°
Pull-out force	5700 daN (12814 lbf)
Towing force	5500 daN (12364 lbf)
Maximum climb angle	40%
Unladen weight	6100 kg (13448 lb)
Max speed (referred to wheels with maximum permitted diameter)	35 km/h (21.7 mph)

BOOM

Machine model	PIGGERY PRO 30.7 TCL
Lifting	7.4 s
Getting off the basket	3.9 s
Extension	5.7 s
Retraction	3.2 s
Forward swiveling	3.2 s
Reverse swiveling	2.1 s

ENGINE

Machine model	PIGGERY PRO 30.7 TCL
Brand	Kubota
Nominal power	73.4 kW (98 HP)
@rpm	2600 rpm
Operation	4-stroke
Injection	Mechanical
Number and arrangement of cylinders	4, Vertical in line
Displacement	3769 cm ³ (230 in ³)
Consumption	231 g/kWh (380 lb/Hp H)
@rpm	2600 rpm
Emission standards	Stage IIIA/Tier 3
Cooling system	Liquid
Intake	Turbo compressor

DIFFERENTIAL AXLES

Machine model	PIGGERY PRO 30.7 TCL
Axles types	2 steering, with 4 planetary reduction gears
Type of steering	4 wheels / transversal / 2 wheels
Front axle	Rigid
Rear axle	Swinging
Service brake	Oil bath with servo brake on front axle
Park brake	Automatic spring applied hydraulic release

HYDRAULIC SYSTEM

Machine model	PIGGERY PRO 30.7
Hydraulic pump type	Gear pump for power steering and movements
Hydraulic pump capacity	115 L/min (30.4 gal/min)
Max. operating pressure	24.5 MPa (3553 psi)
Distributor control	4in1 proportional Joystick

REFUELING

Machine model	PIGGERY PRO 30.7
Hydraulic motor (total)	140.0 L (36.98 gal)
Diesel tank	100.0 L (26.42 gal)

TRANSMISSION

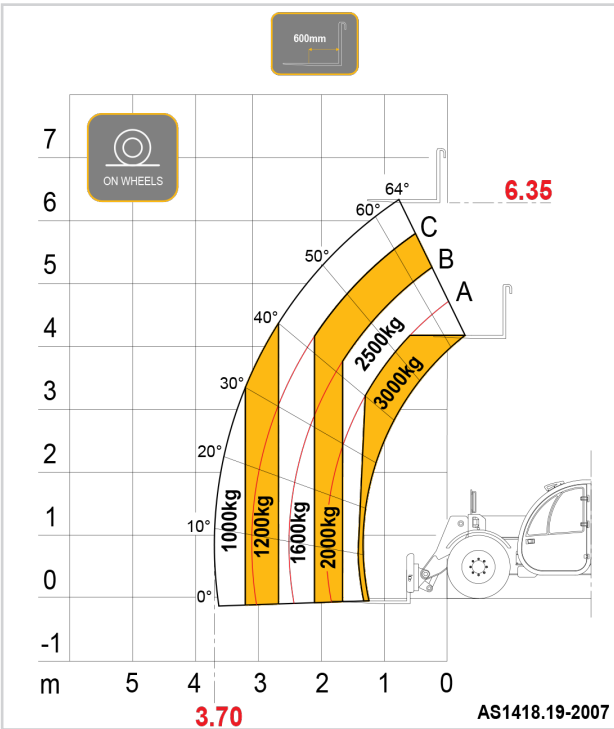
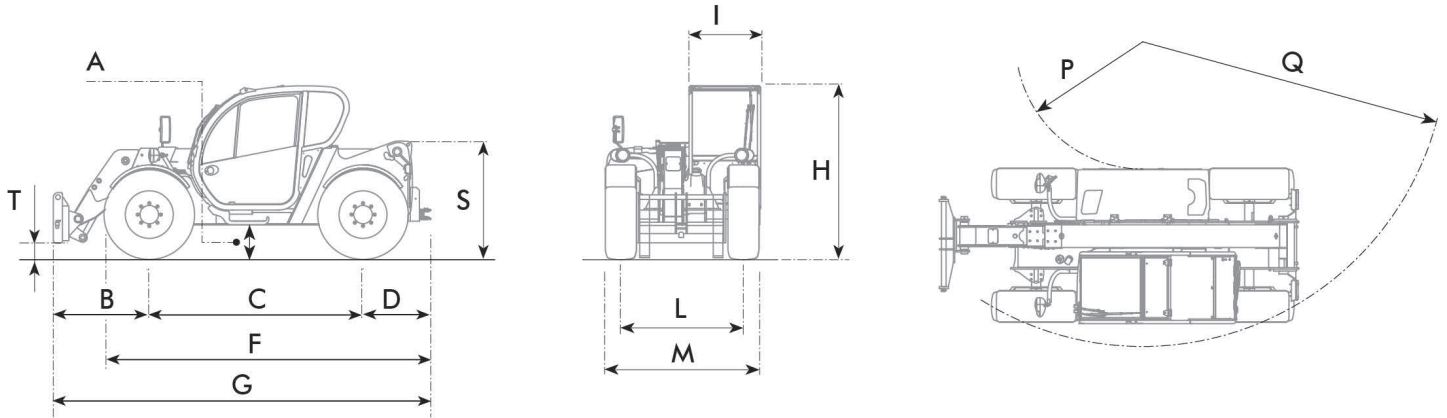
Machine model	PIGGERY PRO 30.7
Transmission type	Hydrostatic with variable flow pump
Hydraulic motor	Hydrostatic with continuous automatic adjustment
Reversal	Electro-Hydraulic
Inching	With inching pedal for controlled forward movement
Transmission gearbox	Servocontrolled 2-speed

TYRES

Machine model	PIGGERY PRO 30.7 TCL
Standard tyres	12.5x18"

DIMENSIONS

Machine model	PIGGERY PRO 30.7 TCL
A	400 mm (15.7 in)
B	1315 mm (51.8 in)
C	2800 mm (110.2 in)
D	650 mm (25.6 in)
F	3990 mm (157.1 in)
G	4765 mm (187.6 in)
H	2040 mm (80.3 in)
I	940 mm (37 in)
L	1600 mm (63 in)
M	2000 mm (78.7 in)
P	1670 mm (65.7 in)
Q	4000 mm (157.5 in)
S	1544 mm (60.8 in)
T	20 mm (0.8 in)



30.7 TCL

SPECIAL FEATURES

Australian developed air conditioning package featuring cabin filtration, auto reversing fans and roof mounted condensing fans and easy clean condenser

Reversible fan

AM/FM radio with Bluetooth connection

Battery isolation switch

4 x LED work lights on roof

1 x LED work lights on boom head

Tow hook

Marine relays and circuit breakers in the engine bay

High capacity hydraulic tank breather

Extended and raised axle and drop box breathers

Vortex pre-cleaner

Engine temperature monitoring system (Watchdog)



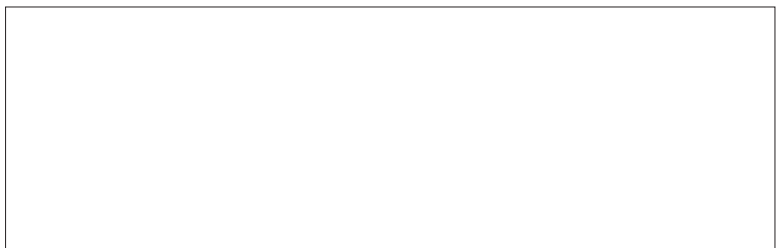
The
Capital Equipment
Specialists

Distributed by the AWD Group and their network of authorised dealers.

AWD Group - 25 Garner Place, Ingleburn NSW 2565

Tel. +61 2 8795 4555 - www.dieci.com.au

info@awdgrp.com.au



Illustrations and photos show the standard international models and may or may not include optional equipment, accessories, customer installed or modified parts, optional parts and all standard equipment with some differences in colour and features. Machine specifications are subject to change without notice and additional load charts and machine or attachment specifications may be available on request. Please refer to the operators manual for correct machine and attachment operation.

Printed in Australia SKT Piggery Pro EXTRA-EC-AU | 1.4 2019