

HYDRAULIC EXCAVATOR

TAKEUCHITM
From World First to World Leader

TB2150R



Operating Weight: 15,420 kg

Product Features

ENGINE

- EU Stage V / EPA Tier 4 Emission Compliant
- DOC+DPF+SCR Exhaust After Treatment
- Automatic Fuel Bleed System
- Double Element, Air Cleaner
- Auto Deceleration
- Working Modes: Standard, ECO and High Altitude
- Hydraulic Fan Drive for Radiator
- Fuel Supply Pump
- High Capacity Fuel Filters
- V-rib Belt with Automatic Tensioner
- Engine Safety Start System on the Left Console
- Engine Auto Stop

ELECTRICAL

- 7" Multi-Informational Color Display
- Rear and Side View Camera
- Sealed Rocker Switches
- Beacon Socket and Lamp Switch
- Travel Alarm
- LED Light Standard Package
Front Cab x2
Front Cover x1
Boom x1
- Horn
- Additional LED Boom Light (optional)
- 1 x LED Cab Rear Light (optional)
- TFM (Takeuchi Fleet Management; GPS)*
- TSS (Takeuchi Security System; immobilizer) (optional)*

OPERATOR'S STATION

- Cab with Air Conditioner, Windshield Wiper and Washer, Skylight with Sunshade, Rain Guard, AM / FM / MP3, Bluetooth Radio, 12V / 24V Power Outlet
- ROPS / OPG(Top Guard, Level II)
- Tool Box
- OPG Level II Roof Guard Kit
- Deluxe High Back Seat
- 2" Retractable Seat Belt
- Air Suspension Seat w/ Heat (optional)
- OPG Level II Front Guard (optional)

UNDERCARRIAGE AND FRAME

- Triple Flanged Track Rollers
- 2-Speed Travel with Automatic Shift
- High Torque Planetary Final Drive
- Heavy Duty Dozer Blade (optional)
- Heavy Counterweight
- Dozer Blade with Float (optional)
- 500W Rubber Crawlers
- Steel Crawlers (500W / 600W / 700W) (optional)
- 500W Segmented Rubber Crawlers (optional)
- Rubber Pads for 500W Steel Crawlers (optional)

TAKEUCHI FLEET MANAGEMENT

- Minimize Downtime
- Remote Diagnostics
- Utilization Tracking
- Proactive Maintenance
- Control Costs

HYDRAULIC

- Variable Displacement, Open Center Hydraulics
- Hydraulic Joystick Controls
- Proportional Control for Service Port 1
- High Flow for Service Port 1 (optional)
- Proportional Control for Service Port 2
- Service Port 3 for Quick Hitch
- Proportional Control for Service Port 4 (optional)
- Adjustable Auxiliary Flow for Service Port 1, 2, and 4
- Pressure Adjustment for Service Port 1, 2, and 4 (optional)
- Pilot Accumulator
- Air Breather, Hydraulic Tank
- Auto Pressure Release (optional)
- Auto Tank for Service Port 1 (optional)

WORKING EQUIPMENT

- Reinforcement Fixed Boom
- Cushioned Boom and Arm Cylinders
- 2,320 mm Arm
- 2,850 mm Arm
- Arm and Boom Holding Valve with Lift Alarm
- Pattern Change Valve (ISO or G) (optional)
- 2-Piece Variable Angle Boom (optional)
- Adjust Cylinder Holding Valve (optional)



Large Lockable Service Covers Provide Ground Level Access



Convenient Service and Maintenance Access

*Functions may not be available in all countries, so please consult your Takeuchi dealer for details.

TOUGH, POWERFUL, RELIABLE



LED Working Lights



Radio Equipped w/ Bluetooth



7" Color Display



Wraparound Counterweight

The TB2150R is the largest excavator in the Takeuchi line up. It features a fixed boom for greater stability and allows the operator to carry heavier loads. The TB2150R comes standard with a mono-boom that provides best in class digging depth (2-piece boom is optional).

A 85 kW engine powers the TB2150R and it meets the very latest EU emissions standards. This engine also utilizes a DOC + DPF + SCR diesel exhaust after-treatment system.

A redesigned operator's station features a 7" color intuitive multi-informational display, radio with bluetooth capabilities, and an optional deluxe high back air

suspension seat to keep the operator comfortable throughout the year.

The TB2150R features a large wraparound counterweight, a rear & side view camera, and multiple LED working lights located on the boom, cab, and front cover.

This machine has multiple auxiliary hydraulic circuits that makes it the perfect attachment platform that will provide the operator the power and durability needed to complete the toughest jobs.



Spacious Operator's Station with Easy to Reach Controls and Switches.

Product Specifications

OPERATING PERFORMANCE

	Mono Boom	2-Piece Boom
Operating Weight - Cab (Rubber)	15,420 kg	16,050 kg
Operating Weight - Cab (Steel)	15,520 kg	16,150 kg
Bucket Capacity (Heaped)	0.45 m ³	
Slew Speed	11.0 min ⁻¹	
Travel Speed		
1st	2.9 km/h	
2nd	5.5 km/h	
Gradeability	35 ⁰	
Ground Pressure		
Rubber Crawler	45.4 kPa	47.3 kPa
Steel Crawler	46.2 kPa	48.1 kPa
Maximum Bucket Breakout Force	96.3 kN	
Maximum Arm Digging Force (2,320 mm Arm)	65.4 kN	
Maximum Arm Digging Force (2,850 mm Arm)	60.0 kN	
Traction Force	156.7 kN	

ENGINE

Model	DEUTZ TCD3.6L4
Rated Output (ISO 14396)	85 kW/2000 min ⁻¹
Maximum Torque	460 Nm/1600 min ⁻¹
Displacement	3,621 ml
Alternator	28 V-2.24 kW
Battery (IEC 60095-1)	12 V - 90A·h x 2

FLUID CAPACITIES

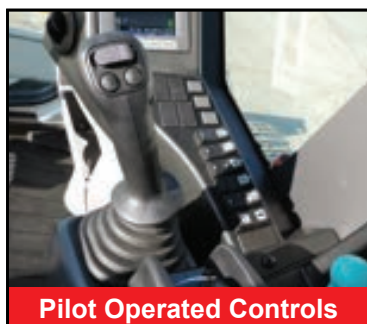
Engine Lubrication	10 L
Cooling System	27 L
Fuel Tank Capacity	221 L
Hydraulic Reservoir Capacity	102 L
Hydraulic System Capacity	235 L
DEF Tank Capacity	20 L

SAFETY and HEALTH

Vibration Levels	
Hand / Arm	≤ 2.5 m/s ²
Body	≤ 0.5 m/s ²
Noise Level	
Sound Power Level	LWA 99 dB

HYDRAULIC SYSTEM

P1, P2	Variable Displacement Pump
Flow Rate	112 L/min
Relief Pressure	34.3 MPa
P3	Gear Pump
Flow Rate	20 L/min
Relief Pressure	3.9 MPa
P4	Gear Pump
Flow Rate	54.8 L/min
Relief Pressure	23.6 MPa
Service Port 1	
Flow Rate	112 L/min
Flow Rate - High Flow	224 L/min
Hydraulic Pressure	27.5 MPa
Service Port 2	
Flow Rate	54.8 L/min
Hydraulic Pressure	23.6 MPa
Service Port 3	
Hydraulic Pressure	21.0 MPa
Service Port 4	
Flow Rate	54.8 L/min
Hydraulic Pressure	23.6 MPa



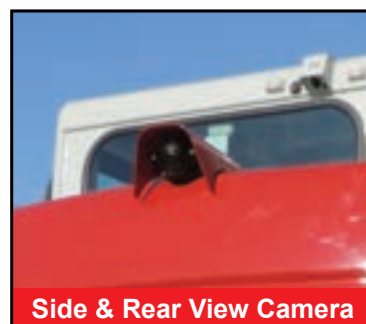
Pilot Operated Controls



Sealed Rocker Switches



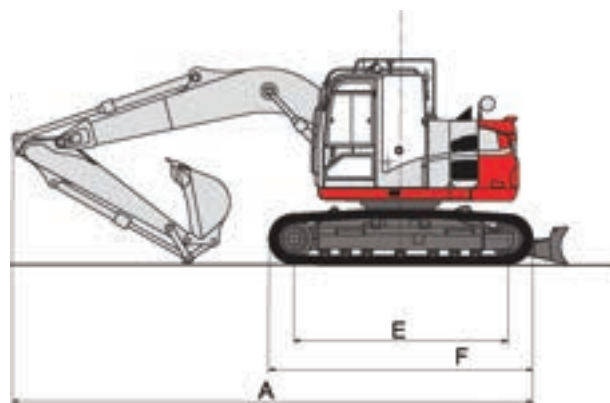
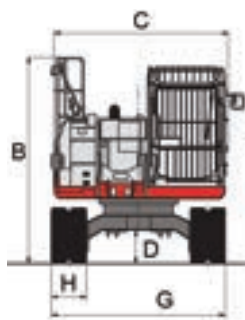
Hydraulic Fan Drive for Radiator



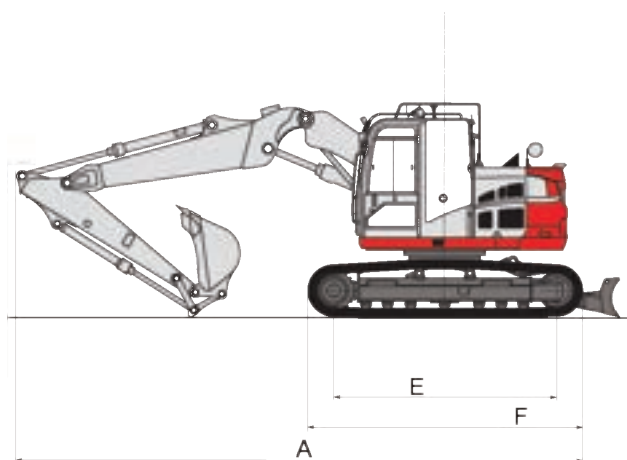
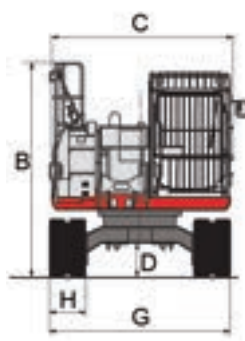
Side & Rear View Camera

TB2150R Machine Dimensions

Mono Boom



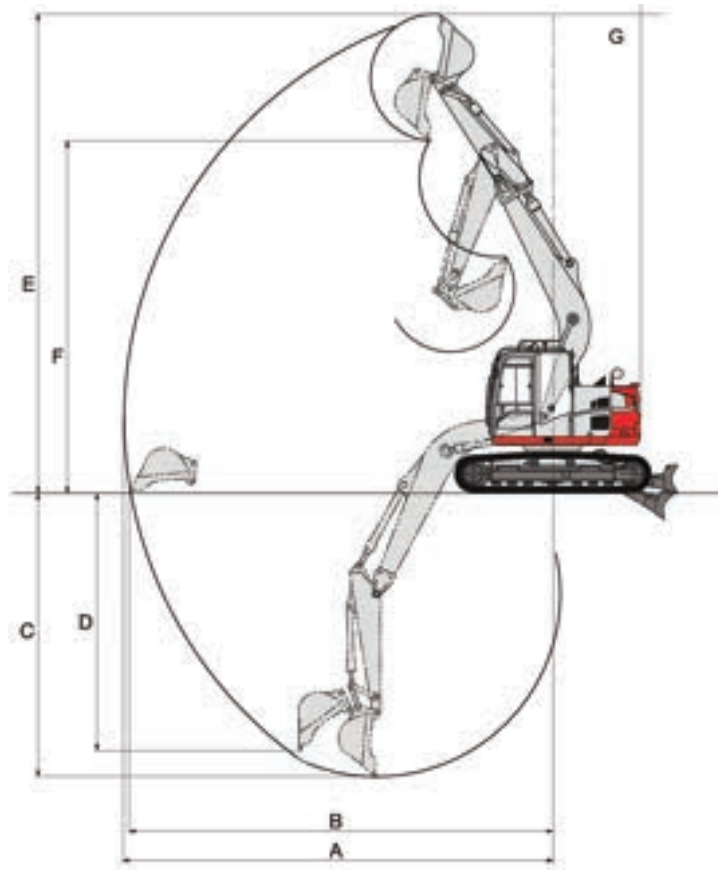
2-Piece Boom



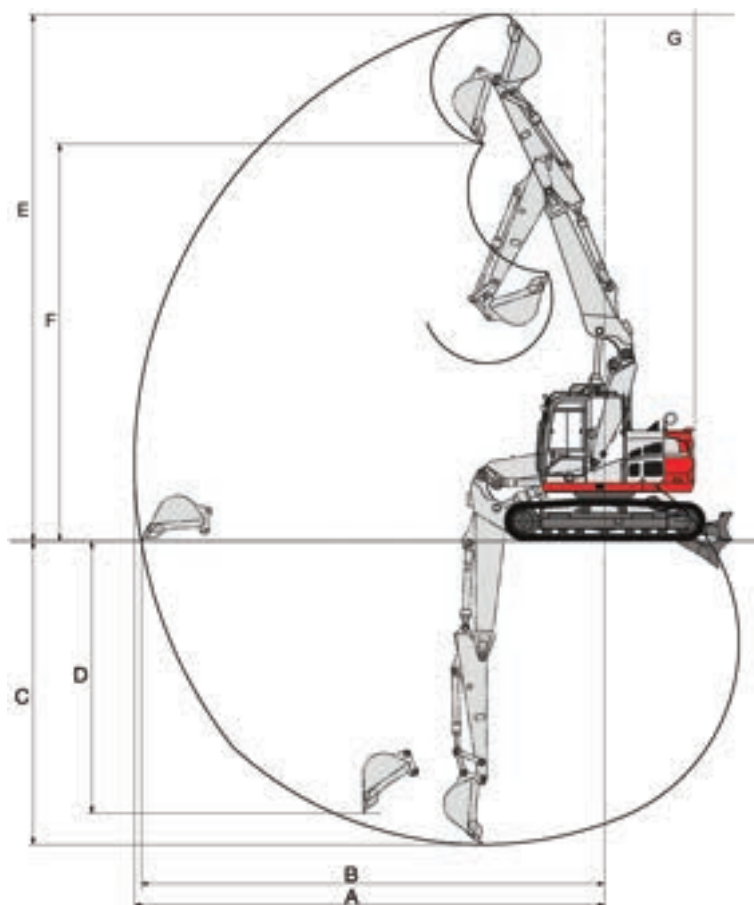
MACHINE DIMENSIONS	Mono Boom		2-Piece Boom
	2,320 mm Arm	2,850 mm Arm	
A Overall Length	7,490 mm	7,445 mm	7,785 mm
B Overall Height	2,960 mm	3,190 mm	2,960 mm
C Upper Structure Overall Width	2,500 mm	2,500 mm	2,500 mm
D Ground Clearance	475 mm	475 mm	475 mm
E Crawler Base	3,080 mm	3,080 mm	3,080 mm
F Crawler Overall Length	3,795 mm	3,795 mm	3,795 mm
G Crawler Overall Width	2,490 mm	2,490 mm	2,490 mm
H Crawler Shoe Width	500 mm	500 mm	500 mm

TB2150R Operating Dimensions

Mono Boom



2-Piece Boom



OPERATING DIMENSIONS	Mono Boom		2-Piece Boom
	2,320 mm Arm	2,850 mm Arm	
A Maximum Reach	8,330 mm	8,790 mm	8,860 mm
B Maximum Reach at Ground Level	8,195 mm	8,665 mm	8,730 mm
C Maximum Digging Depth	5,500 mm	6,030 mm	5,720 mm
D Maximum Vertical Digging Depth	4,995 mm	5,515 mm	5,130 mm
E Maximum Height of Cutting Edge	9,300 mm	9,630 mm	9,925 mm
F Maximum Dumping Height	6,845 mm	7,170 mm	7,490 mm
G Slew Radius	1,700 mm	1,700 mm	1,700 mm